

**SANTINT**

**A4-Hummingbird**

## Automatic Dispenser

**1/2000Y Minimum Shot**

**50% Improved Efficiency**

**100% Recirculation**



Item	Detail	Item	Detail
Dispensing Mode	Sequential	No. of Canisters	Up to 16
Pump	Piston Pump	Minimum Shot	1/2000Y
Flow Rate	900ml/min	Efficiency	300ml/min
Thick Pump Diameter	32.9mm	Thin Pump Diameter	10mm
Thick Pump Capacity	102ml	Thin Pump Diameter	1.2ml
Big Nozzle Diameter	3mm	Small Nozzle Diameter	1.5mm
Power Supply	220V/110V 50Hz/60Hz	Motor Power	100W
Weight	160Kg (Electric Can Table)	Dimension	707×848×1300mm

## Accuracy



- Double pump + double nozzle +100% recirculation realizes minimum shot of 1/2000Y ( 0.015ml ) .
- Variation of 1/768Y is lower than 10%. Stable accuracy ensured for sample paint.

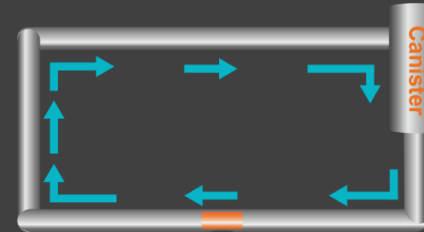
## 100% Innovation



- Nozzle is rotated and covered automatically to isolate air when not in use.
- Nozzle is part of channel for 100% recirculation, thus the colorant at the nozzle is always in good condition due to its fluidity.
- International invention patent, breakthrough of traditional nozzle technology.



■ Traditional Recirculation

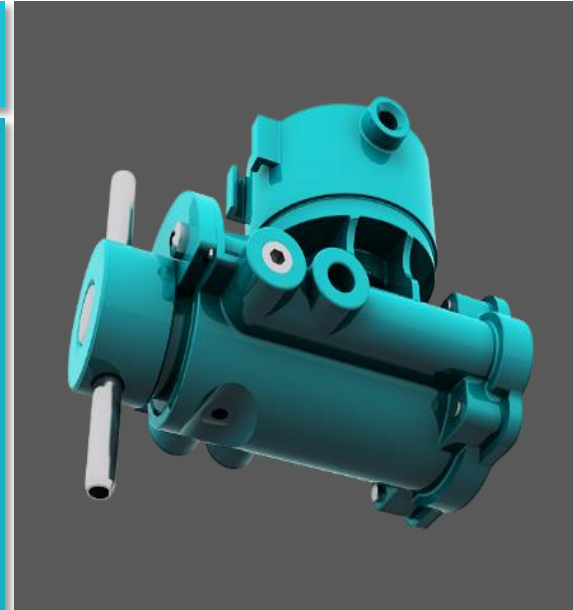


■ 100% Recirculation

## 100% Benefits



- Better customer satisfaction through solution of nozzle dryness and blockage to eliminate the relevant mistints and complaints.
- No purge maintenance. Less time and effort for dispenser maintenance in store.
- Wasted colorants of purge are saved to improve the profits in store.



## Improved Performance



- Piston pump with better efficiency. 50%+ of flow rate and actual efficiency. Up to 900ml/min and 300ml/min ( turntable rotation time included ) .
- Electrical tray model available. Effort-saving and convenient operation.



## Box Dispensing Cloud Era



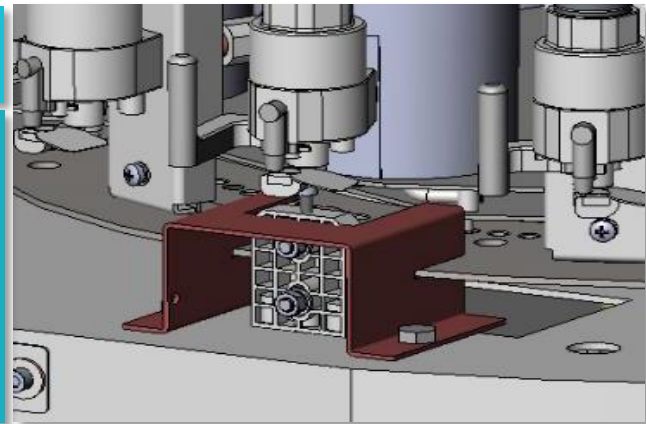
- PC is replaced by box to save the cost of computer and the operational system.
- Multi-functional and better user experience ColorExpert 3.
- ColorExpert 3 online version provides cloud management for numerous dispensing stores.



## Fixing Device of Turntable



- Unique fixing device of turntable avoids any shift or displacement during transportation.
- All-metal shell and overall structure, reliable quality and robust for use.







## Self Detection

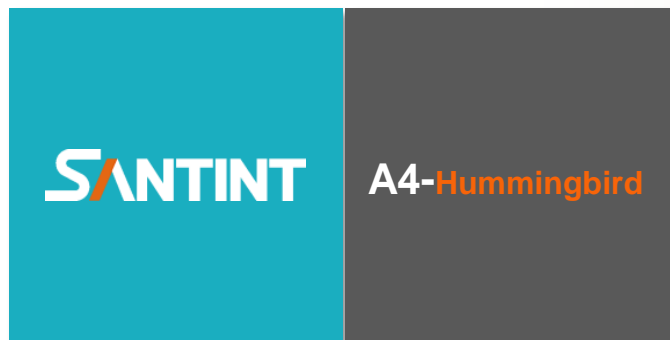
- Self-detection when starting the machine to lower breakdown possibility.
- Warning when the piston rod is pulled up.



## Applications



- 1/2000Y minimum shot provides solid technical foundation for sample paint promotion.
- No need to spit, easy to operate, simple to maintain.
- Outstanding minimum shot, stable performance, low total ownership cost, ideal machine for sample paint promotion.



THANKS !

**SANTINT · CHINA**

Add: Feilong Road, Xingyang,  
Zhengzhou, China  
Email: [info@santint.com](mailto:info@santint.com)

**SANTINT · HOLLAND**

Add: Lageweg 35 - J, 2222 AG  
Katwijk The Netherlands  
Email: [sales@santint-europe.com](mailto:sales@santint-europe.com)

**SANTINT · POLAND**

Add: ul. Postepu 19. mag.5  
02-676 Warszawa Polska  
Email: [gianni.capozzi@santint.com](mailto:gianni.capozzi@santint.com)

**SANTINT · U.S.A**

Add: 2000 Bloomingdale Road,  
Suite 220, Glendale Heights,  
IL 60139, U.S.A  
Email: [frank@santint.com](mailto:frank@santint.com)

**SANTINT · AUSTRALIA**

Add: 3 Technology Circuit  
Hallam Victoria, Australia  
Email: [Info.AU@santint.com](mailto:Info.AU@santint.com)